

# GSS-4PM Composite Gas Sampler



The Welker® GSS-4PM Composite Gas Sampler extracts a sample from the flowing product in the pipeline and uses positive displacement to capture a representative sample.

## Features

- Designed to collect a representative composite sample
- Vanishing Chamber™ collection cup
- Self-purging system
- Actuated by regulated pipeline pressure or auxiliary pneumatic supply

## Benefits

- Sampling directly from the flowing product allows for a truly representative sample
- Sampler design has minimal interference between the pipeline and sample pathway
- The Vanishing Chamber™ collection cup utilizes positive displacement to capture and push the complete sample to the sample container
- The unique self-purging system ensures a fresh sample with every actuation
- Easy to install



## SPECIFICATIONS

GSS-4PM COMPOSITE GAS SAMPLER

### GSS-4PM

Materials of Construction	316/316L Stainless Steel
Seal Material	Viton®
Pipeline Connection	3/4" MNPT
Outlet Connection	1/4" FNPT
Collection Cup	Viton® Vanishing Chamber™
Relief Type	Inline Relief
Insertion Length	8"
Sample Volume	0.22 cc
Bypass	Integrated Bypass Manifold with Built-in Valve
Operation	Diaphragm-Operated Pump
Operating Pressure	2160 psig MAOP @ -20 °F to 120 °F
Industry Standards	Complies with API 14.1, GPA 2166, and ISO 10715

# STANDARD OPTIONS

GSS-4PM COMPOSITE GAS SAMPLER

	PIPELINE CONNECTION	ELECTRONICS	VOLTAGE	RELIEF	COLLECTION CUP	DUROMETER	COLLECTION CUP SIZE	GAUGE	PROBE LENGTH	OPTIONS
<b>GSS4P</b>	<b>B</b>	<b>E</b>			<b>V</b>	<b>8</b>	<b>2</b>	<b>9</b>	<b>0</b>	<b>80</b>
	3/4" MNPT	Solenoid Only	3 or 4	2 or 3	Viton®	80 duro	0.22 cc	2000 psig	8"	C or J

### VOLTAGE

- 3: DC 24 V
- 4: DC 12 V

### RELIEF

Please specify line pressure

- 2: Inline Relief 300-1000 psig
- 3: Inline Relief 900-1500 psig

### OPTIONS

- C: Single Cavity Cylinder Manifold
- J: LE-2SSKO Probe (for Sampling in a Wet Gas Stream)

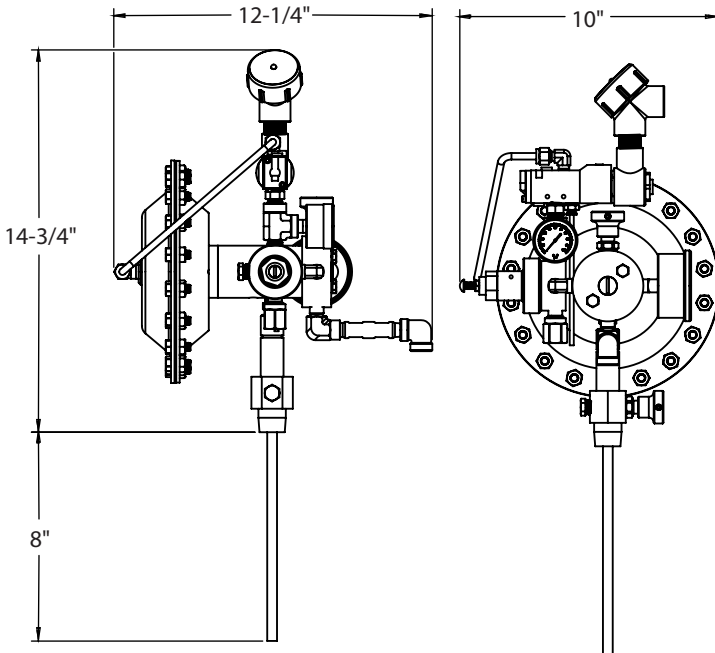
For custom options, choose **Plus Welker™**.



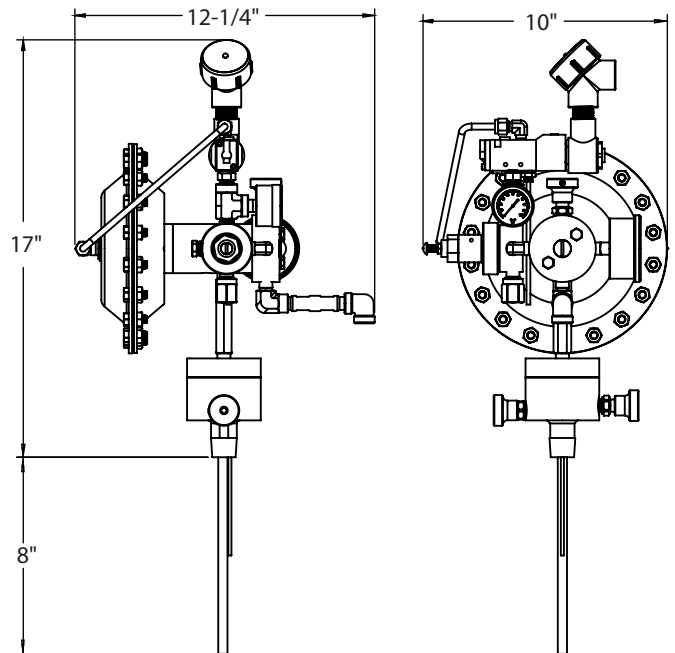
Customer Inspired. Welker Manufactured.  
Collaborate with us to create a custom product unique to your application.

## DIMENSIONS

Standard Probe



LE-2SSKO Probe (for Sampling in a Wet Gas Stream)



Weight and/or dimensions are approximate.  
Specifications subject to change without notice.

